

Sealless Vertical Immersion Pumps

RAE's VBV Series vertical immersion pumps are intended for industrial use to carry fluids such as water, coolant, light oil and other clean, non-aggressive fluids.

These dependable, cost-effective pumps are designed for drop-in

replacement of pumps supplied on common machine tool systems.

Available in either single or three phase power options, VBV Series pumps are available in multiple horsepower and submerged depths.

Applications:

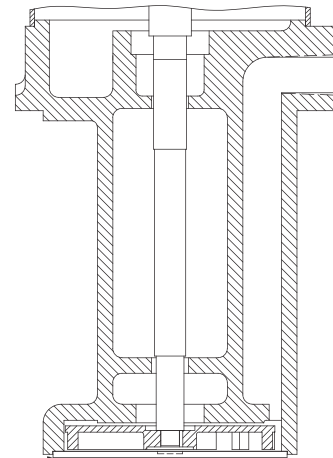
- Machine tool coolant systems
- Machine tool cutting oil systems

MOTOR

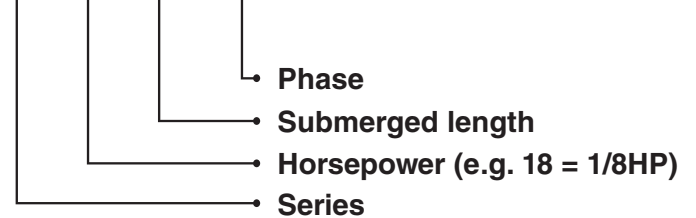
Nominal speed: 3450 rpm at 60 Hz
Voltage Option 1: 1 phase; 115V/230V
Voltage Option 2: 3 phase; 230V/460V



MODEL CODE



VBV - 18 - 150 / 1PH



OPERATING LIMITS

Ambient temperature: Max 180°F
Liquid temperature range: 32°F to 176°F
Flow: 6 gpm to 46 gpm
Head: 14' to 70'
Operating pressure: Max 30 psi
Submerged length: 5.91" to 11.02"

DIMENSIONS

Single Phase Models

Model	Power (hp)	A (inches)	B (inches)	C (inches)	D (inches)	E (inches)	F (inches)	G (inches/mm)
VBV-18-150/1PH	0.125	0.28	5.04	0.38	0.71	3.54	5.91	5.91/150
VBV-16-150/1PH	0.167	0.28	5.04	0.50	0.71	3.94	5.91	5.91/150
VBV-14-180/1PH	0.25	0.31	6.50	0.50	0.94	4.72	7.09	7.09/180
VBV-14-200/1PH	0.25	0.31	6.50	0.50	0.94	4.72	7.09	7.87/200
VBV-14-240/1PH	0.25	0.31	6.50	0.50	0.94	4.72	7.09	9.45/240
VBV-14-270/1PH	0.25	0.31	6.50	0.50	0.94	4.72	7.09	10.63/270

Three Phase Models

Model	Power (hp)	A (inches)	B (inches)	C (inches)	D (inches)	E (inches)	F (inches)	G (inches/mm)
VBV-18-180/3PH	0.125	0.28	5.04	0.38	0.71	3.54	5.91	7.09/180
VBV-14-180/3PH	0.25	0.31	6.50	0.50	0.94	4.72	7.09	7.09/180
VBV-14-200/3PH	0.25	0.31	6.50	0.50	0.94	4.72	7.09	7.87/200
VBV-14-240/3PH	0.25	0.31	6.50	0.50	0.94	4.72	7.09	9.45/240
VBV-14-270/3PH	0.25	0.31	6.50	0.50	0.94	4.72	7.09	10.63/270
VBV-34-180/3PH	0.75	0.35	7.48	1.0	1.10	5.91	10.04	7.09/180
VBV-34-250/3PH	0.75	0.35	7.48	1.0	1.10	5.91	10.04	9.84/250
VBV-34-280/3PH	0.75	0.35	7.48	1.0	1.10	5.91	10.04	11.02/280
VBV-10-280/3PH	1.0	0.35	7.48	1.0	1.10	5.91	10.83	11.02/280

PERFORMANCE CURVES

