

# Stainless Steel External Mount Vertical Pumps

RAE's MSVF Series vertical multistage external mount pumps are intended for industrial use to carry fluids such as water, coolant, light oil and other clean, non-aggressive fluids.

These flanged pumps are designed with the inlet and outlet on the

same plane to suit inline piping connections.

MSVF pumps offer full stainless steel wetted construction. All metal parts in contact with the pumped liquid are made of stainless steel.

**Applications:**

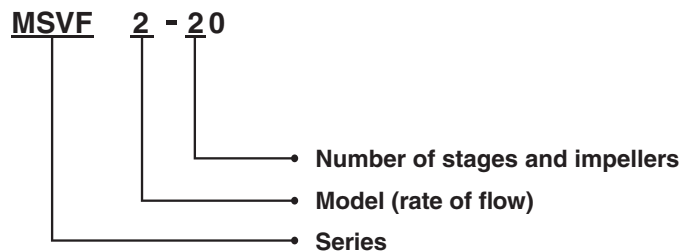
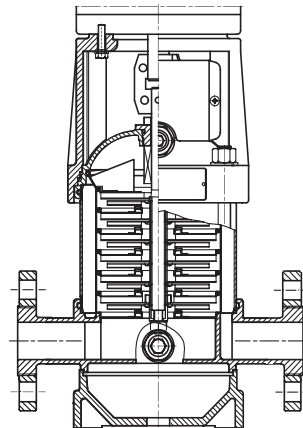
- Water supply systems
- Industrial booster systems
- Industrial liquid transfer systems
- Water treatment systems
- Agricultural irrigation

## MOTOR

Nominal speed: 3500 rpm at 60 Hz  
Standard voltage: 3 phase; 230V/460V  
Protection class: IP54  
Insulation class: F



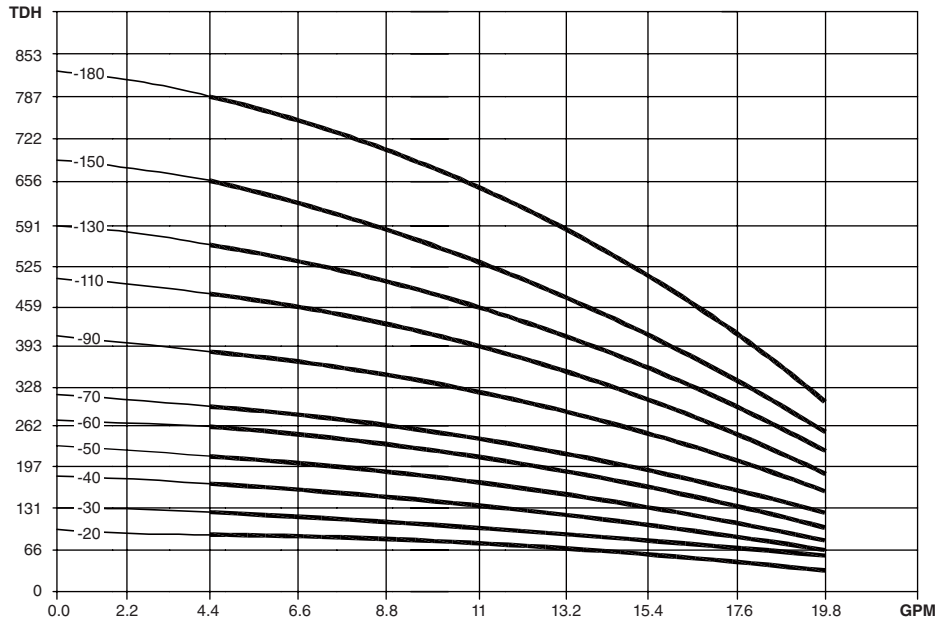
## MODEL CODE



## OPERATING LIMITS

Ambient temperature: Max 104°F  
Liquid temperature range: 5°F to 158°F  
Flow: 4 gpm to 20 gpm  
Head: 85' to 768'  
Operating pressure: Max 341 psi

# PERFORMANCE CURVES



# DIMENSIONS — WEIGHTS

Model	Power (hp)	A (inches)	B (inches)	C (inches)	D (inches)	E (inches)	Weight (pounds)	Max Inlet Pressure (psi)
MSVF2-20	0.75	19.02	10.16	8.86	5.83	4.61	46.30	87
MSVF2-30	1	20.91	11.26	9.65	6.69	5.59	52.91	145
MSVF2-40	2	21.61	11.97	9.65	6.69	5.59	55.12	145
MSVF2-50	2	22.32	12.68	9.65	6.69	5.59	57.32	145
MSVF2-60	2	23.30	13.39	9.65	6.69	5.59	57.32	145
MSVF2-70	2	25.91	14.49	11.41	7.48	6.10	70.55	145
MSVF2-90	3	27.32	15.91	11.41	7.48	6.10	79.37	217
MSVF2-110	3	28.74	17.32	11.41	7.48	6.10	81.57	217
MSVF2-130	4	32.71	19.13	13.58	7.76	6.50	97.00	217
MSVF2-150	4	34.13	20.55	13.58	7.76	6.50	99.21	217
MSVF2-180	5	36.65	22.68	13.98	9.06	7.40	119.05	217

